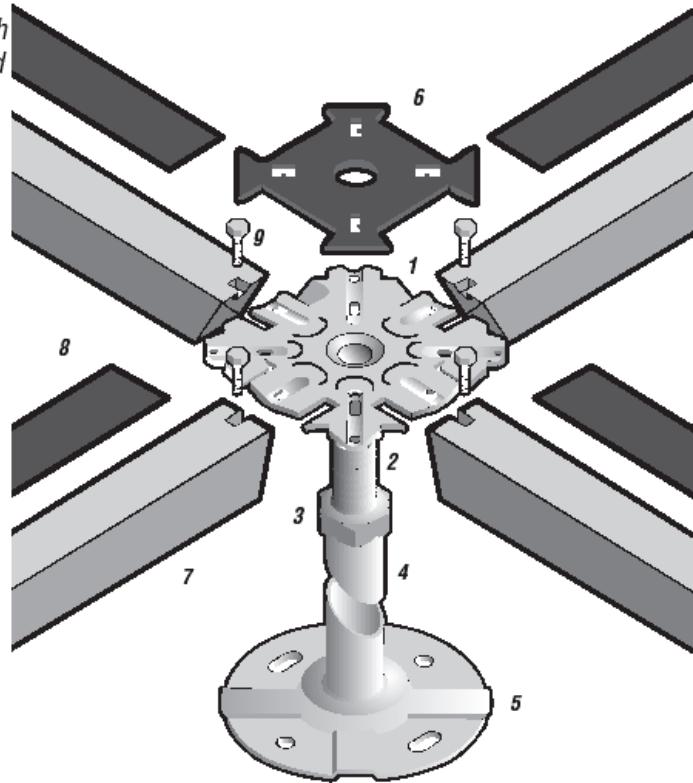


SUBSTRUCTURE GW ST3

Substructure completely in galvanized steel, with square shape stringers, fixed on pedestals head by blocked screw.



Re.	Elements	Dimensions (mm)	n°/m ²	Heights
1	Flat head	90x 90x 2,5	3,3	Nominal heights: from 85 mm to 990 mm
2	Threaded rod	16 (16 MA)	3,3	
3	Nut with nicks	24x 9	3,3	Adjustments: +/- 25 mm
4	Tube	20x 2	3,3	
5	Circular base	90x 1,5	3,3	
6	Gasketed head	90x 90x 2	3,3	
7	Square shape stringers	25x25x540x1	5,9	
8	Gasket stringer	25x1x1x540	5,9	
9	Blocked screw	4,2x5,2x19 (s)	13,2	

Advised purpose:

Office environment with heavy-medium loads, Data processing centred, laboratory, control room.